



Series 4454

Zetco WaterMarked 3-Way T Port Stainless Steel Ball Valve Lockable NPT Threads

DESCRIPTION

A 316 grade stainless steel WaterMarked 3-way ball valve (WMTS-012, Licence WM-022793) with NPT threads and a T port ball for diverting and splitting flow. The lockable handle and stop pin provide added safety and can be removed to gain access to the versatile ISO 5211 mounting pad for the attachment of automated control equipment such as an actuator.

FEATURES

Design	<ul style="list-style-type: none"> Investment cast body in 316 grade stainless steel Removable handle and pin on ISO 5211 mounting pad (refer to p. 3-4) Double D stem for indirect mounting pad Lever marking shows the position of the ball ports Blow-out proof stem with self-adjusting packing prevents leakage 4 seat design with resilient PTFE seals for smooth operation
Production	<ul style="list-style-type: none"> Manufactured in China under ISO 9001 Quality Management System All valves are pressure tested during production
Technical	<ul style="list-style-type: none"> Female ANSI B1.20.1 (NPT) threaded connections Flow capacity: Full bore DN8-DN20; Reduced bore DN25-DN50 Flow control: On/off only, not intended for throttling Temperature range: -20°C to 150°C Max. pressure: 4000 kPa (refer to graph)
Options & Variants	<ul style="list-style-type: none"> Size range: DN8 (1/4") to DN50 (2") Series 4453 WaterMarked stainless L port, side entry NPT threads Series 4413 WaterMarked stainless L port, side entry BSP threads Series 4414 WaterMarked stainless T port, side entry BSP threads Series 4069 stainless steel T port, bottom entry, NPT threads Series 4014 stainless steel T port, side entry

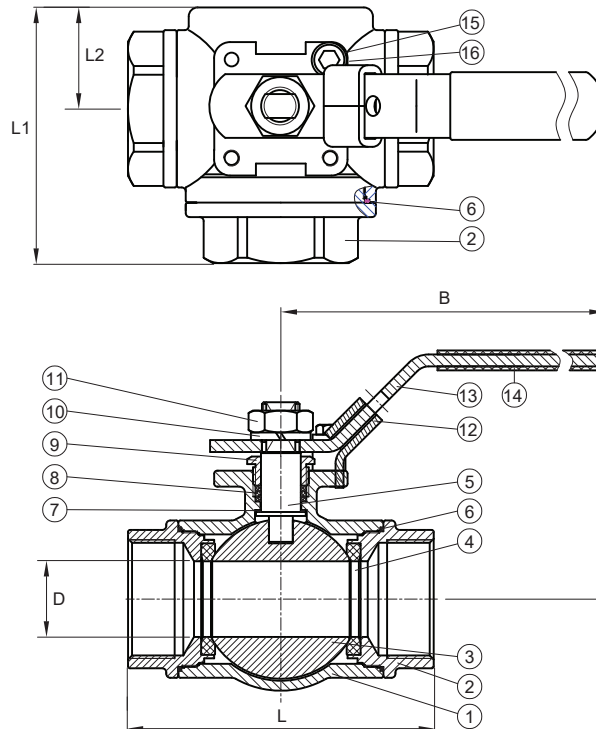


Series 4454

Zetco WaterMarked 3-Way T Port S/Steel
Ball Valve Lockable NPT Threads



DIMENSIONAL AND COMPONENT DIAGRAM



ISO mounting pad - Page 3

Achievable flow patterns - Page 4

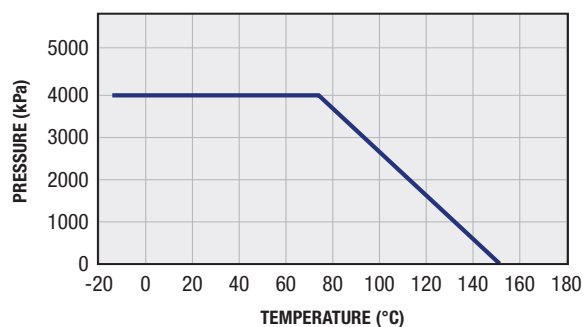
PARTS MATERIALS

POS.	PART	MATERIAL
1	BODY	STAINLESS STEEL 316
2	END ADAPTOR	STAINLESS STEEL 316
3	BALL	STAINLESS STEEL 316
4	SEAL	PTFE
5	STEM	STAINLESS STEEL 316
6	BODY GASKET	PTFE
7	THRUST WASHER	PTFE
8	STEM PACKING	PTFE
9	GLAND	STAINLESS STEEL 304
10	SPRING WASHER	STAINLESS STEEL 304
11	STEM NUT	STAINLESS STEEL 304
12	LOCKING DEVICE	STAINLESS STEEL 304
13	HANDLE	STAINLESS STEEL 304
14	HANDLE COVER	PLASTIC
15	BOLT	STAINLESS STEEL 304
16	STOP PIN	STAINLESS STEEL 304

DIMENSIONS (mm)

Prod. Code	DN	Size - (mm)	A	B	L	D	L1	L2	Wgt Kg
4454006	8	1/4" - (6.3)	67	153	76	11.6	60	23	0.760
4454010	10	3/8" - (9.5)	67	153	76	12.5	60	23	0.700
4454015	15	1/2" - (12.7)	67	153	76	12.5	60	23	0.670
4454020	20	3/4" - (19.0)	77	153	86	16.0	72	29	1.11
4454025	25	1" - (25.4)	83	183	99	20.0	80.2	32	1.62
4454032	32	1 1/4" - (31.7)	88	183	117	25.0	94.5	38	2.19
4454040	40	1 1/2" - (38.1)	116	246	124	32.0	104	42	3.73
4454050	50	2" - (50.8)	124	264	148	38.0	125	51	5.73

PRESSURE/TEMPERATURE GRAPH

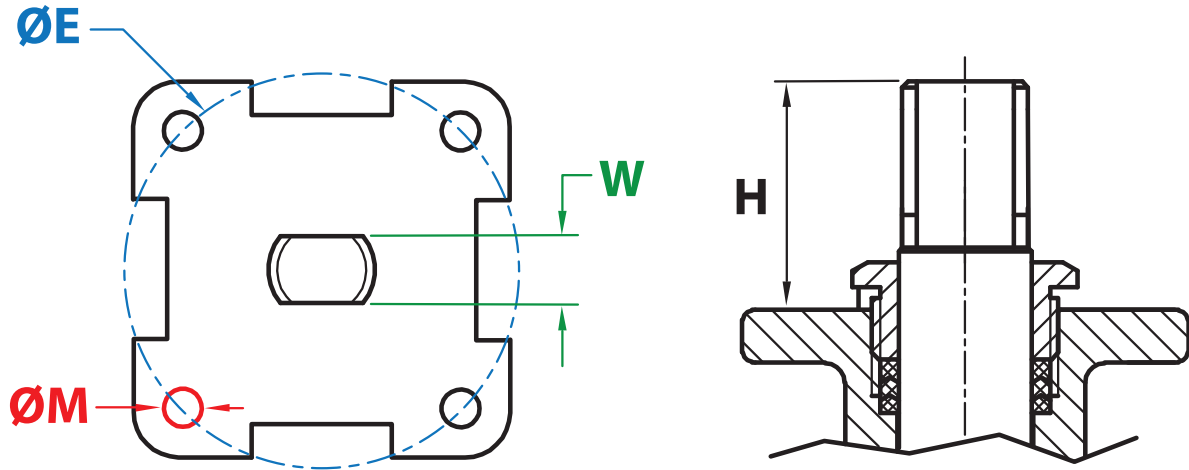


ISO Mounting Pad

Technical Specifications



DIMENSIONAL DIAGRAM



Drawing not to scale, illustrative only

Specification		Dimensions (mm)				Torque (Nm)		
Size (mm)	ISO 5211	ØM	ØE	W	H	Operating	Maximum	MAST*
8	F04	M5	42	8	18	8	10	15
10	F04	M5	42	8	18	8	10	15
15	F04	M5	42	8	18	9	14	20
20	F04	M5	42	8	20	14	20	25
25	F05	M6	50	9.55	23	15	25	30
32	F05	M6	50	9.55	23	20	28	35
40	F07	M8	70	12	34	22	30	40
50	F07	M8	70	12	34	40	50	60

* MAST - Maximum Allowable Stem Torque

Applies to:

Series No.	Description
4413	Zetco WaterMarked 3-Way L Port Stainless Steel Ball Valve Lockable BSP Threads
4414	Zetco WaterMarked 3-Way T Port Stainless Steel Ball Valve Lockable BSP Threads
4453	Zetco WaterMarked 3-Way L Port Stainless Steel Ball Valve Lockable NPT Threads
4454	Zetco WaterMarked 3-Way T Port Stainless Steel Ball Valve Lockable NPT Threads

T Port Side Entry

Flow Patterns



EXAMPLE FLOW PATTERNS

● Stop pin

