

Series 4482 & 4483

Zetco WaterMarked 2-Piece Stainless Steel Flanged Underground Ball Valve

DESCRIPTION

A 2-piece investment cast 316 grade stainless steel ball valve WaterMark approved to AS 5830.1 (Licence WM-022438). The flanged end connections are available in either ANSI 150 or Table E while the stainless steel stem adaptor makes this valve suitable for underground installations where it can be operated with an underground key (sold separately).

FEATURES

Design	Investment cast body in stainless steel 316 grade Stainless steel underground key adaptor PTFE ball seals for smooth, reliable operation Blow-out proof stem to prevent leakage
Production	Manufactured in China under ISO 9001 Quality Management System All valves are pressure tested to API 598 during production
Technical	Designed to ANSI B16.34 Face to face dimensions ANSI B16.10 End flange dimensions ANSI B16.5 150 or AS 2129 Table E Flow capacity: Full bore Flow control: on/off only, not intended for throttling Temperature range: -20°C to 150°C Max. pressure: 2000 kPa (see graph overleaf)
Options & Variants	Size range: 65mm to 100mm Series 4480 & 4481 WaterMarked with lockable lever handle Series 4463 & 4464 AGA approved with lockable lever handle Series 2502 Underground key



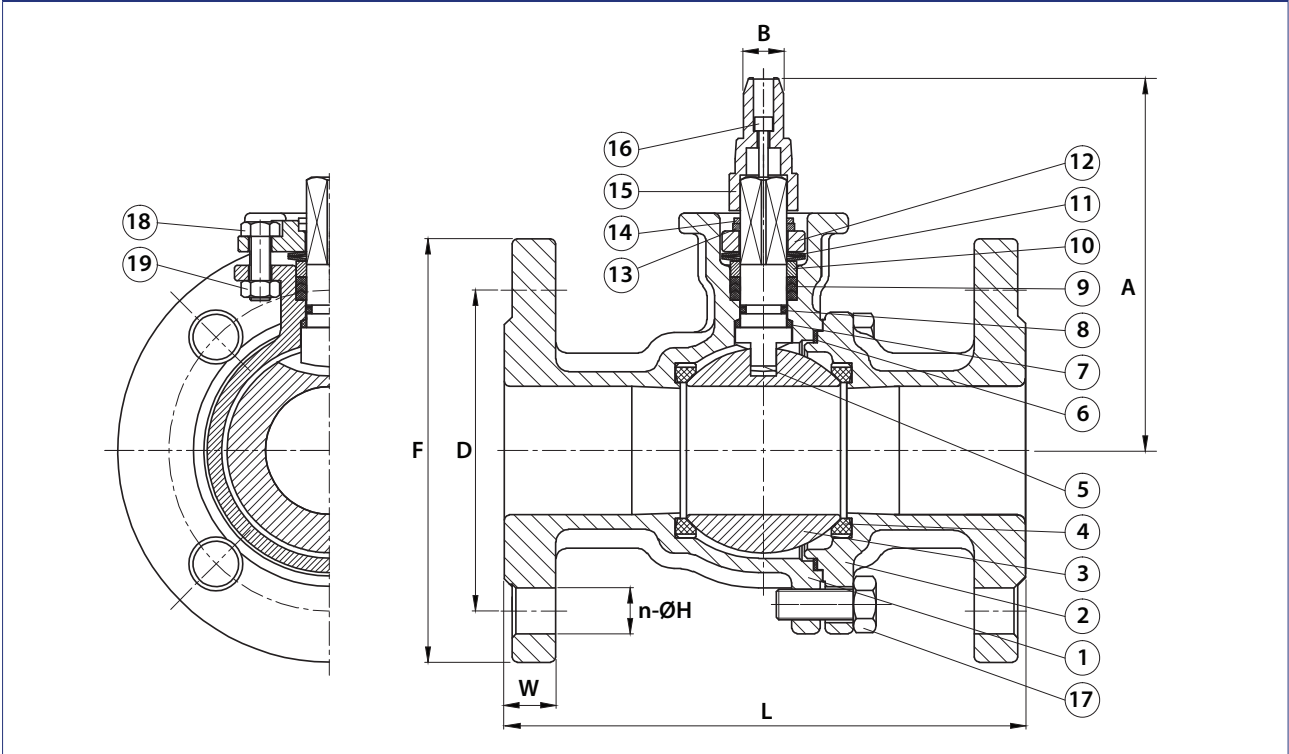
WaterMark
IAPMO WM-022438
AS 5830.1

Series 4482 & 4483

Zetco WaterMarked 2-Piece Stainless Steel Flanged Underground Ball Valve



DESCRIPTION



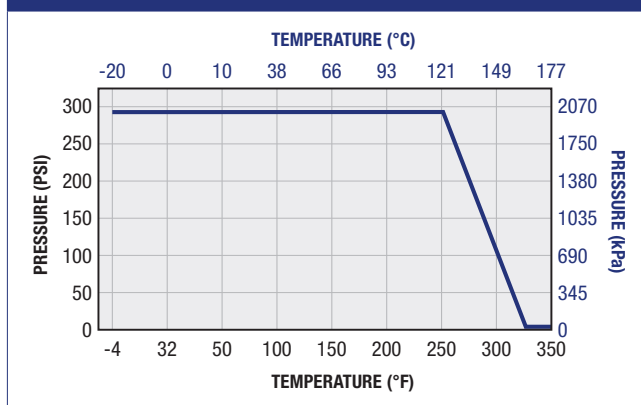
PARTS MATERIALS

POS.	PART	MATERIAL
1	BODY	STAINLESS STEEL 316
2	CAP	STAINLESS STEEL 316
3	BALL	STAINLESS STEEL 316
4	SEAT	PTFE
5	STEM	STAINLESS STEEL 316
6	GASKET	PTFE
7	THRUST WASHER	PTFE
8	O-RING	VITON®
9	PACKING	PTFE
10	GLAND	STAINLESS STEEL 304
11	BELLEVILLE WASHER	STAINLESS STEEL 301
12	GLAND FLANGE	STAINLESS STEEL 316
13	STOPPER	STAINLESS STEEL 304
14	SNAP RING	STAINLESS STEEL 304
15	UNDERGROUND ADAPTOR	STAINLESS STEEL 316
16	ADAPTOR SCREW	STAINLESS STEEL 316
17	BOLT	STAINLESS STEEL 304
18	BOLT	STAINLESS STEEL 304
19	NUT	STAINLESS STEEL 304

DIMENSIONS (mm)

Table E	Size	A	B	F	D	W	L	n - ØH	Kv	Wgt Kg
4482065	65	180	28	165	127	14	190	4 - 18	750	13.1
4482080	80	190	28	185	146	14	203	4 - 18	1300	17.2
4482100	100	215	28	215	178	17	229	8 - 18	2300	28.6
ANSI 150	Size	A	B	F	D	W	L	n - ØH	Kv	Wgt Kg
4483065	65	180	28	178	139.5	18	190	4 - 19	750	13.1
4483080	80	190	28	190	152.5	19	203	4 - 19	1300	17.2
4483100	100	215	28	229	190.5	24	229	8 - 19	2300	28.6

PRESSURE/TEMPERATURE GRAPH





Series 4482 & 4483

Zetco WaterMarked 2-Piece Stainless Steel Flanged Underground Ball Valve

DESCRIPTION

A 2-piece investment cast 316 grade stainless steel ball valve WaterMark approved to WMTS-012 (Licence WM-022793). The flanged end connections are available in either ANSI 150 or Table E while the stainless steel stem adaptor makes this valve suitable for underground installations where it can be operated with an underground key (sold separately).

FEATURES

Design	Investment cast body in stainless steel 316 grade Stainless steel underground key adaptor PTFE ball seals for smooth, reliable operation Blow-out proof stem to prevent leakage
Production	Manufactured in China under ISO 9001 Quality Management System All valves are pressure tested to API 598 during production
Technical	Designed to ANSI B16.34 Face to face dimensions ANSI B16.10 End flange dimensions ANSI B16.5 150 or AS 2129 Table E Flow capacity: Full bore Flow control: on/off only, not intended for throttling Temperature range: -20°C to 150°C Max. pressure: 2000 kPa (see graph overleaf)
Options & Variants	Size range: 125mm and 150mm Series 4480 & 4481 WaterMarked with lockable lever handle Series 4463 & 4464 AGA approved with lockable lever handle Series 2502 Underground key



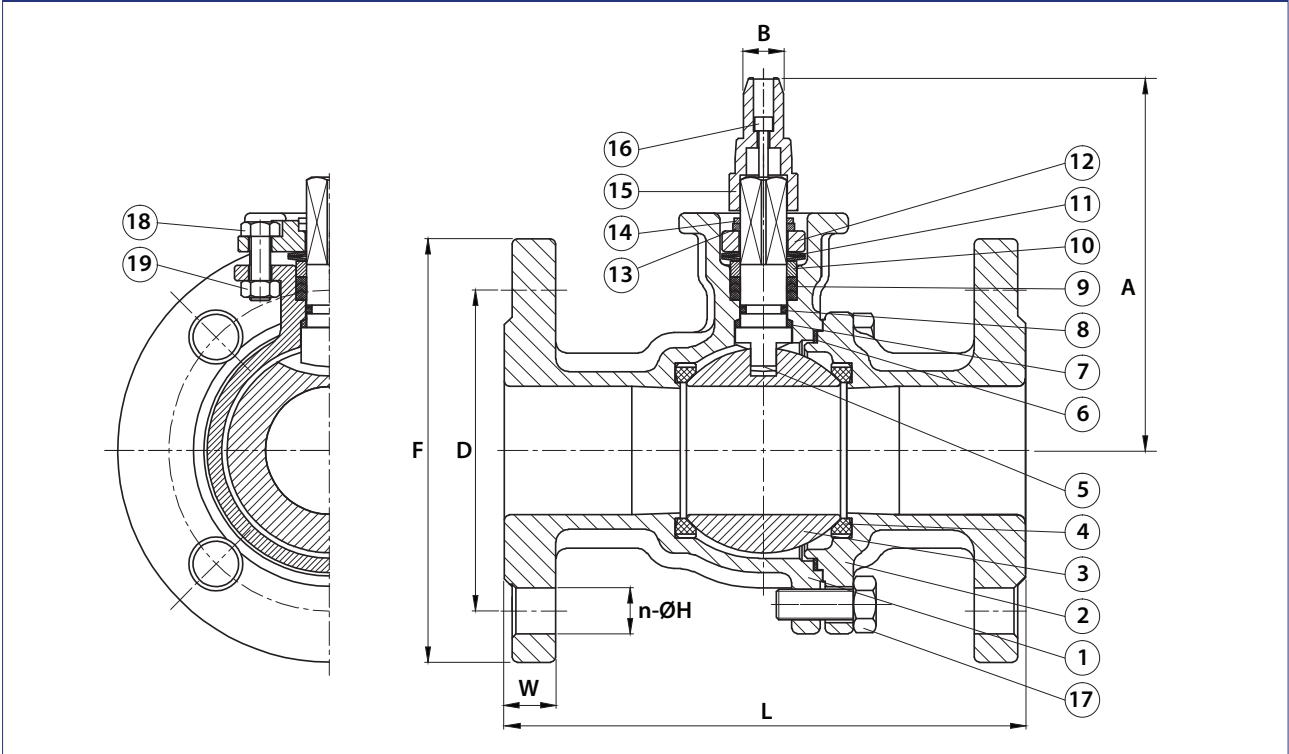
WaterMark
IAPMO WM-022793
WMTS-012

Series 4482 & 4483

Zetco WaterMarked 2-Piece Stainless Steel Flanged Underground Ball Valve



DESCRIPTION



PARTS MATERIALS

POS.	PART	MATERIAL
1	BODY	STAINLESS STEEL 316
2	CAP	STAINLESS STEEL 316
3	BALL	STAINLESS STEEL 316
4	SEAT	PTFE
5	STEM	STAINLESS STEEL 316
6	GASKET	PTFE
7	THRUST WASHER	PTFE
8	O-RING	VITON®
9	PACKING	PTFE
10	GLAND	STAINLESS STEEL 304
11	BELLEVILLE WASHER	STAINLESS STEEL 301
12	GLAND FLANGE	STAINLESS STEEL 316
13	STOPPER	STAINLESS STEEL 304
14	SNAP RING	STAINLESS STEEL 304
15	UNDERGROUND ADAPTOR	STAINLESS STEEL 316
16	ADAPTOR SCREW	STAINLESS STEEL 316
17	BOLT	STAINLESS STEEL 304
18	BOLT	STAINLESS STEEL 304
19	NUT	STAINLESS STEEL 304

DIMENSIONS (mm)

Table E	Size	A	B	F	D	W	L	n - ØH	Kv	Wgt Kg
4482125	125	275	28	254	210	17	356	8 - 18	3700	37.7
4482150	150	290	28	279	235	17	394	8 - 22	5400	61.2
ANSI 150	Size	A	B	F	D	W	L	n - ØH	Kv	Wgt Kg
4483125	125	275	28	254	216	24	356	8 - 22	3700	37.7
4483150	150	290	28	279	241.5	25.4	394	8 - 22	5400	61.2

PRESSURE/TEMPERATURE GRAPH

