



# Series 4620 & 4621

Zetco  
Stainless Steel  
Flanged Gate Valve

## FEATURES

MANUFACTURED IN CHINA

STAINLESS STEEL 316

INVESTMENT CASTING

FULL BORE

DESIGNED TO API 600 AND ANSI B16.34

BOLTED BONNET

EXTERNAL SCREW AND YOKE

RISING STEM AND NON-RISING HAND WHEEL

FACE TO FACE DIMENSIONS ANSI B16.10

END FLANGE DIMENSIONS ANSI B16.5 150 OR AS 2129 TABLE E

NOT SUITABLE FOR THROTTLING APPLICATIONS

MUST BE OPERATED IN FULLY OPEN OR CLOSED POSITION

ALL VALVES PRESSURE TESTED TO API 598 DURING PRODUCTION

SIZE RANGE: 50MM TO 200MM

## PRESSURE AND TEMPERATURE RATINGS

MAXIMUM OPERATING TEMPERATURE: 100°F @ 275 PSI (37°C @ 1900 kPa)

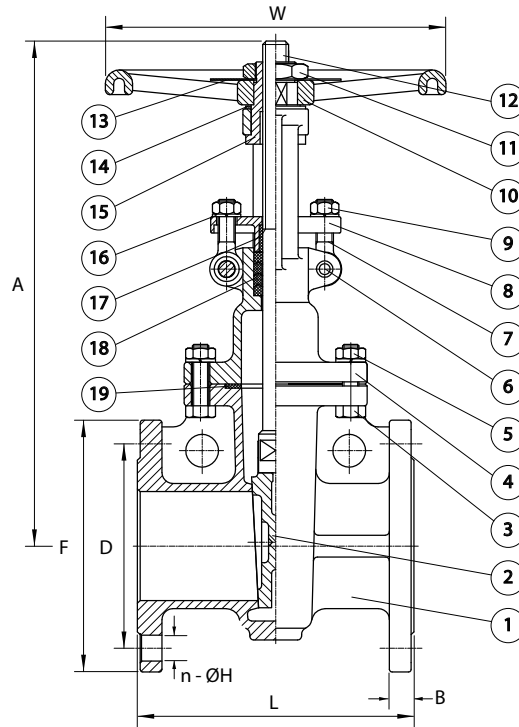
FOR RATINGS AT SPECIFIC TEMPERATURES REFER TO GRAPH OVERLEAF

# Series 4620 & 4621

## Zetco Stainless Steel Flanged Gate Valve



### DIMENSIONAL AND COMPONENT DIAGRAM



### MATERIALS

POS.	PART NAME	MATERIALS
1	BODY	STAINLESS STEEL 316
2	DISC	STAINLESS STEEL 316
3	BOLT	STAINLESS STEEL 304
4	CAP	STAINLESS STEEL 316
5	NUT	STAINLESS STEEL 304
6	HINGE PIN	STAINLESS STEEL 304
7	EYE BOLT	STAINLESS STEEL 304
8	GLAND	STAINLESS STEEL 316
9	EYE NUT	STAINLESS STEEL 304
10	HAND WHEEL	CAST IRON
11	NUT	BRONZE
12	STEM	STAINLESS STEEL 316
13	NAMEPLATE	STAINLESS STEEL 304
14	GASKET	BRONZE
15	YOKE SLEEVE	BRONZE
16	SPRING WASHER	STAINLESS STEEL 304
17	GLAND PACKING	PTFE
18	PACKING	PTFE
19	GASKET	PTFE

### DIMENSIONS - mm

Table E	Size	A	W	F	D	B	L	n - ØH	Kv	Wgt kg
4620050	50	331	200	152	114	16	178	4 - 18	309	11.4
4620065	65	393	200	178	127	18	190	4 - 18	540	15.8
4620080	80	470	250	190	146	19	203	4 - 18	985	22.0
4620100	100	545	250	229	178	24	229	8 - 18	1842	34.7
4620150	150	740	300	279	235	26	267	8 - 22	3556	54.1
4620200	200	910	350	343	292	29	292	8 - 22	4499	91.0
ANSI 150	Size	A	W	F	D	B	L	n - ØH	Kv	Wgt kg
4621050	50	331	200	152	120.5	16	178	4 - 19	309	11.4
4621065	65	393	200	178	139.5	18	190	4 - 19	540	15.8
4621080	80	470	250	190	152.5	19	203	4 - 19	985	22.0
4621100	100	545	250	229	190.5	24	229	8 - 19	1842	34.7
4621150	150	740	300	279	241.5	26	267	8 - 22	3556	54.1
4621200	200	910	350	343	298.5	29	292	8 - 22	4499	91.0

### PRESSURE/TEMPERATURE DIAGRAM

