

Series 4640 & 4641

Zetco
Stainless Steel
Flanged
Swing Check Valve

FEATURES

MANUFACTURED IN CHINA

STAINLESS STEEL 316

INVESTMENT CASTING

BOLTED BONNET

DESIGNED TO ANSI B16.34

FACE-TO-FACE DIMENSIONS ANSI B16.10

END FLANGE DIMENSIONS ANSI B16.5 150 OR AS 2129 TABLE E

CAN BE INSTALLED IN HORIZONTAL OR VERTICAL POSITION

ALL VALVES PRESSURE TESTED TO API 598 DURING PRODUCTION

SIZE RANGE: 50MM TO 200MM

PRESSURE AND TEMPERATURE RATINGS

MAXIMUM OPERATING TEMPERATURE: 100°F @ 275 PSI (37°C @ 1900 kPa)

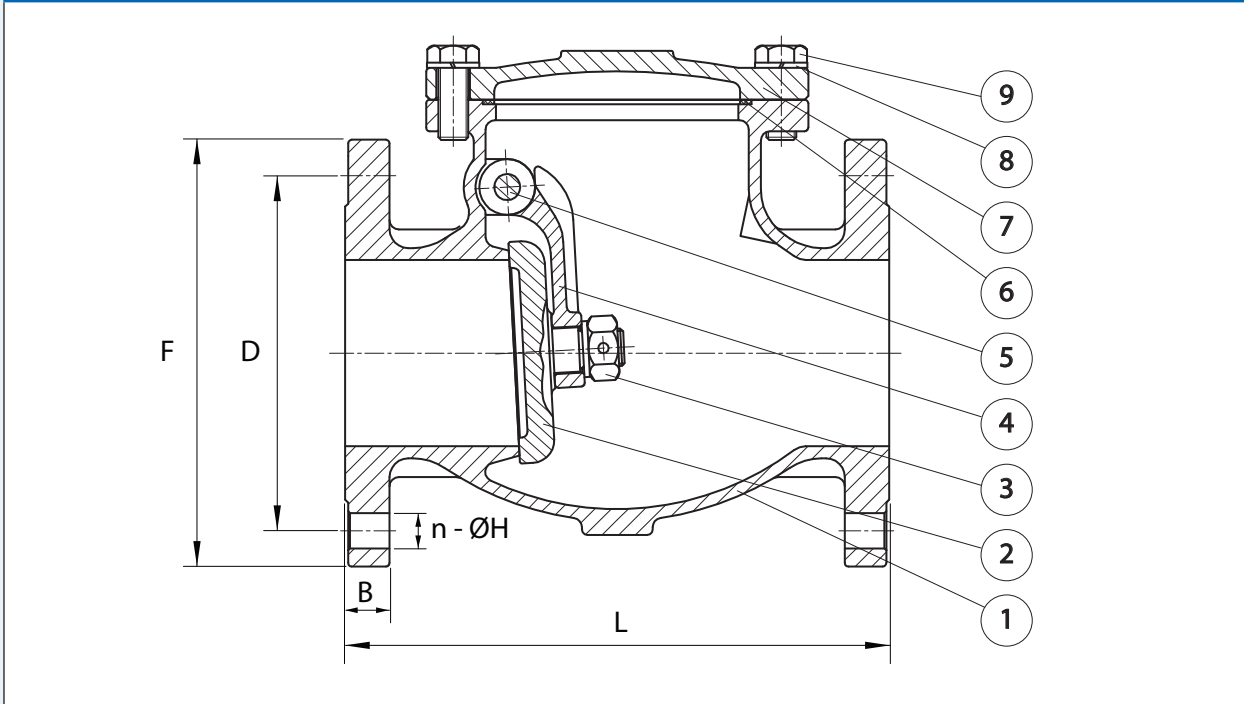
FOR RATINGS AT SPECIFIC TEMPERATURES REFER TO GRAPH OVERLEAF

Series 4640 & 4641

Zetco Stainless Steel Flanged
Swing Check Valve



DIMENSIONAL AND COMPONENT DIAGRAM



MATERIALS

POS.	PART NAME	MATERIALS
1	BODY	STAINLESS STEEL 316
2	DISC	STAINLESS STEEL 316
3	NUT	STAINLESS STEEL 316
4	HINGE ARM	STAINLESS STEEL 316
5	HINGE PIN	STAINLESS STEEL 316
6	GASKET	PTFE
7	BONNET	STAINLESS STEEL 316
8	SPRING WASHER	STAINLESS STEEL 304
9	BOLT	STAINLESS STEEL 304
*	NAMEPLATE	ALUMINIUM

DIMENSIONS - mm

Table E	Size	F	D	B	L	n - ØH	Kv	Wgt kg
4640050	50	152	114	16	203	4 - 18	65	7.83
4640065	65	165	127	18	216	4 - 18	93	11.6
4640080	80	185	146	19	241	4 - 18	128	14.7
4640100	100	215	178	24	292	8 - 18	240	28.1
4640150	150	280	235	25.4	356	8 - 22	411	46.1
4640200	200	335	292	28.6	495	8 - 22	660	77.5
ANSI 150	Size	F	D	B	L	n - ØH	Kv	Wgt kg
4641050	50	152	120.5	16	203	4 - 19	65	7.83
4641065	65	178	139.5	18	216	4 - 19	93	11.6
4641080	80	190	152.5	19	241	4 - 19	128	14.7
4641100	100	229	190.5	24	292	8 - 19	240	28.1
4641150	150	280	241.3	25.4	356	8 - 22	411	46.1
4641200	200	345	298.5	28.6	495	8 - 22	660	77.5

PRESSURE/TEMPERATURE DIAGRAM

