



## Series 4650 & 4651

Zetco  
Stainless Steel  
Flanged Y Strainer

### FEATURES

MANUFACTURED IN CHINA

STAINLESS STEEL 316

INVESTMENT CASTING

FITTED WITH DRAIN PLUG (OR OPTIONAL MINI BALL VALVE)

500 MICRON MESH

OTHER MESH SIZES AVAILABLE UPON REQUEST

END FLANGE DIMENSIONS ANSI B16.5 150 OR AS 2129 TABLE E

ALL VALVES PRESSURE TESTED TO API 598 DURING PRODUCTION

SIZE RANGE: 50MM TO 200MM

### PRESSURE AND TEMPERATURE RATINGS

MAXIMUM OPERATING TEMPERATURE: 100°F @ 275 PSI (37°C @ 1900 kPa)

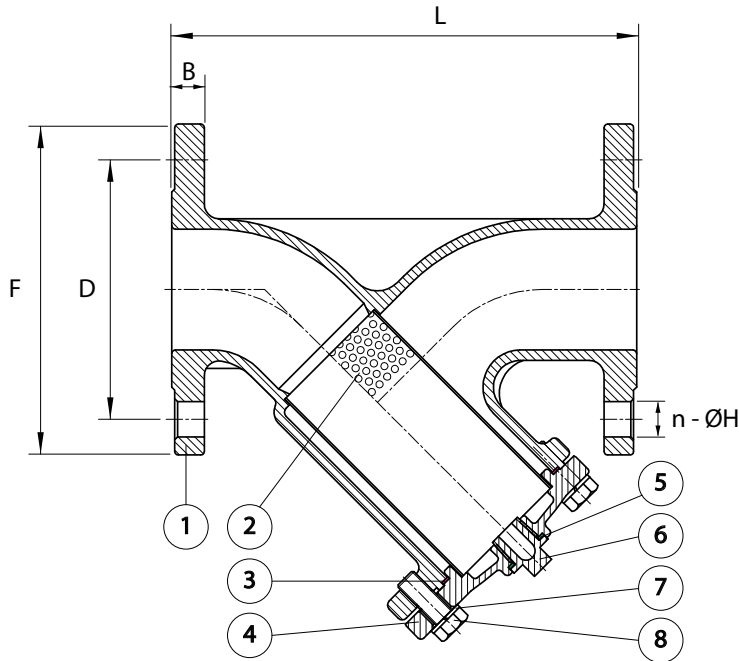
FOR RATINGS AT SPECIFIC TEMPERATURES REFER TO GRAPH OVERLEAF

# Series 4650 & 4651

Zetco Stainless Steel Flanged Y Strainer



## DIMENSIONAL AND COMPONENT DIAGRAM



### MATERIALS

POS.	PART NAME	MATERIALS
1	BODY	STAINLESS STEEL 316
2	STRAINER SCREEN	STAINLESS STEEL 316
3	GASKET	PTFE
4	CAP	STAINLESS STEEL 316
5	GASKET	PTFE
6	STOPPER	STAINLESS STEEL 316
7	SPRING WASHER	STAINLESS STEEL 304
8	BONNET BOLT	STAINLESS STEEL 304

### DIMENSIONS - mm

Table E	Size	F	D	B	L	n - ØH	Kv	Wgt kg
4650050	50	152	114	16	215	4 - 18	35	6.3
4650065	65	165	127	18	250	4 - 18	86	10.9
4650080	80	185	146	19	280	4 - 18	171	14.8
4650100	100	215	178	24	340	8 - 18	427	23.2
4650150	150	280	235	26	420	8 - 22	684	44.9
4650200	200	335	292	29	500	8 - 22	1282	71.0
ANSI 150	Size	F	D	B	L	n - ØH	Kv	Wgt kg
4651050	50	152	120.5	16	215	4 - 19	35	6.3
4651065	65	178	139.5	18	250	4 - 19	86	10.9
4651080	80	190	152.5	19	280	4 - 19	171	14.8
4651100	100	229	190.5	24	340	8 - 19	427	23.2
4651150	150	279	241.5	26	420	8 - 22	684	44.9
4651200	200	343	298.5	29	500	8 - 22	1282	71.0

### PRESSURE/TEMPERATURE DIAGRAM

