



Series 6101

Zetco WaterMarked
DZR Brass Ball Valve
Press-fit x FI
Lever Handle

FEATURES

MANUFACTURED IN ITALY

FULL BORE

WATERMARKED TO AS 5830.1 LICENCE WM-000110

PRESS-FIT JOINT COMPLIANT WITH AS 3688

FOR USE WITH VIEGA®, ROTHENBERGER® AND KEMPRESS® V-PROFILE TOOLS ONLY

MUST BE INSTALLED ACCORDING TO ACCOMPANYING INSTRUCTIONS & DESIGN GUIDE

CONICAL PTFE STEM SEALING SYSTEM

BLOW-OUT PROOF STEM

MUST BE OPERATED IN FULLY OPEN OR CLOSED POSITION

ALL VALVES PRESSURE TESTED DURING PRODUCTION

SIZE RANGE: 15MM TO 50MM

PRESSURE AND TEMPERATURE RATINGS

TEMPERATURE RANGE: -15°C TO 110°C

MAXIMUM OPERATING PRESSURE AT NOMINAL TEMPERATURES: 2500 kPa

FOR RATINGS AT SPECIFIC TEMPERATURES REFER TO GRAPH OVERLEAF

BIM-MED^{AUS}



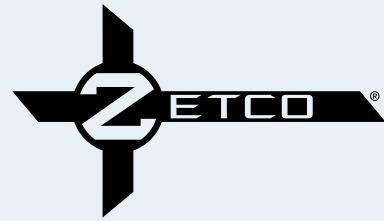
WaterMark

IAPMO WM-000110
AS 5830.1

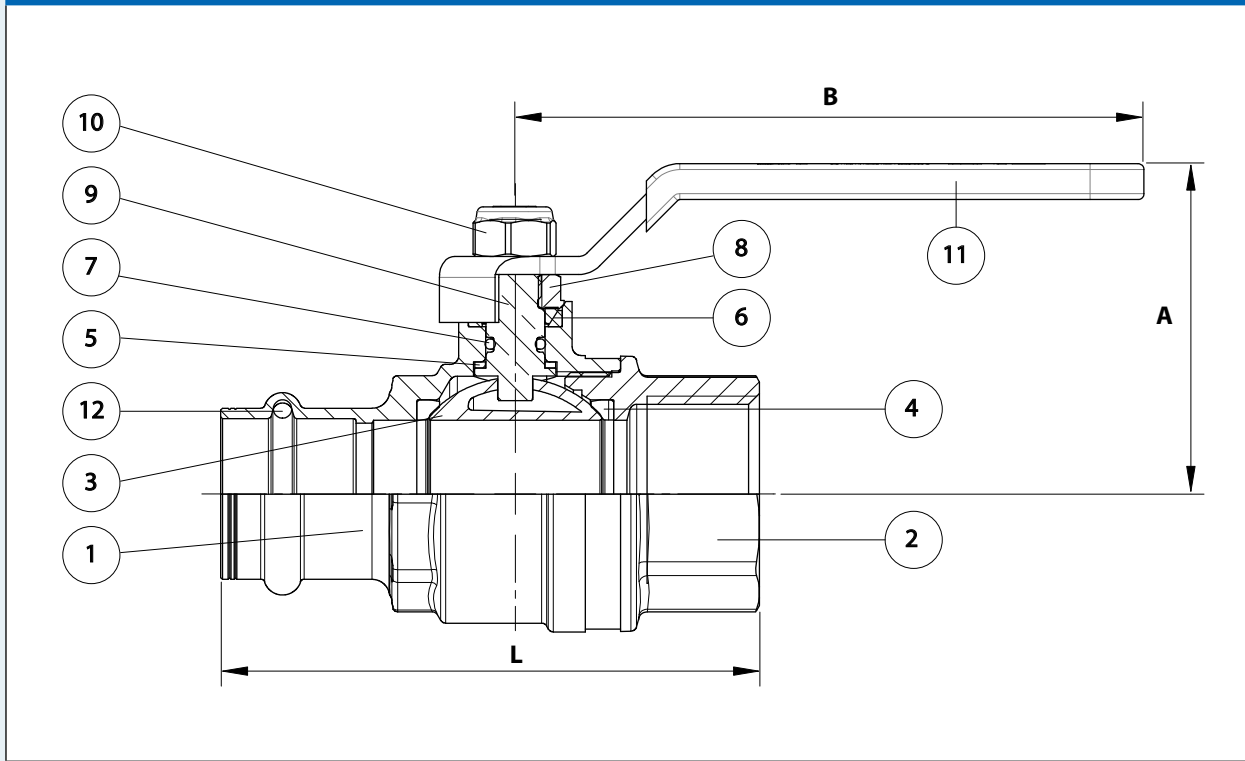
Series 6101

Zetco WaterMarked DZR Brass Ball Valve

Press-fit x FI Lever Handle



DIMENSIONAL AND COMPONENT DIAGRAM



MATERIALS

POS.	PART NAME	MATERIALS
1	BODY	DZR BRASS
2	END ADAPTOR	DZR BRASS
3	BALL	DZR BRASS (CHROME PLATED)
4	SEAL	PTFE
5	THRUST WASHER	PTFE
6	CONICAL SEAL	PTFE
7	O-RING	HNBR
8	GLAND NUT	BRASS
9	STEM	DZR BRASS
10	NUT	ZINC PLATED STEEL
11	HANDLE	ZINC PLATED STEEL
12	O-RING	EPDM PEROXIDE

DIMENSIONS - mm

Prod. Code	Size	A	B	L	Kv	Wgt kg
6101015	15	44	85	64	15	0.193
6101020	20	52	105	80	28	0.333
6101025	25	56	105	92	39	0.470
6101032	32	68	130	105	84	0.807
6101040	40	74	130	128	156	1.29
6101050	50	88	165	151	243	1.98

PRESSURE/TEMPERATURE DIAGRAM

