



Series 6107

Zetco WaterMarked
DZR Brass Ball Valve
Press-fit x Press-fit
Lockable

FEATURES

MANUFACTURED IN ITALY

FULL BORE

LOCKABLE HANDLE ALLOWS VALVE TO BE LOCKED IN OPEN OR CLOSED POSITION

WATERMARKED TO AS 5830.1 LICENCE WM-000110

PRESS-FIT JOINT COMPLIANT WITH AS 3688

FOR USE WITH VIEGA®, ROTHENBERGER® AND KEMPRESS® V-PROFILE TOOLS ONLY

MUST BE INSTALLED ACCORDING TO ACCOMPANYING INSTRUCTIONS & DESIGN GUIDE

CONICAL PTFE STEM SEALING SYSTEM

BLOW-OUT PROOF STEM

MUST BE OPERATED IN FULLY OPEN OR CLOSED POSITION

ALL VALVES PRESSURE TESTED DURING PRODUCTION

SIZE RANGE: 15MM TO 50MM

PRESSURE AND TEMPERATURE RATINGS

TEMPERATURE RANGE: -15°C TO 110°C

MAXIMUM OPERATING PRESSURE AT NOMINAL TEMPERATURES: 2500 kPa

FOR RATINGS AT SPECIFIC TEMPERATURES REFER TO GRAPH OVERLEAF

BIM-MEP^{AUS}



WaterMark

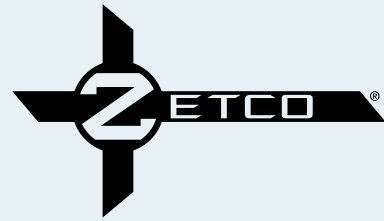
IAPMO WM-000110
AS 5830.1

V.01

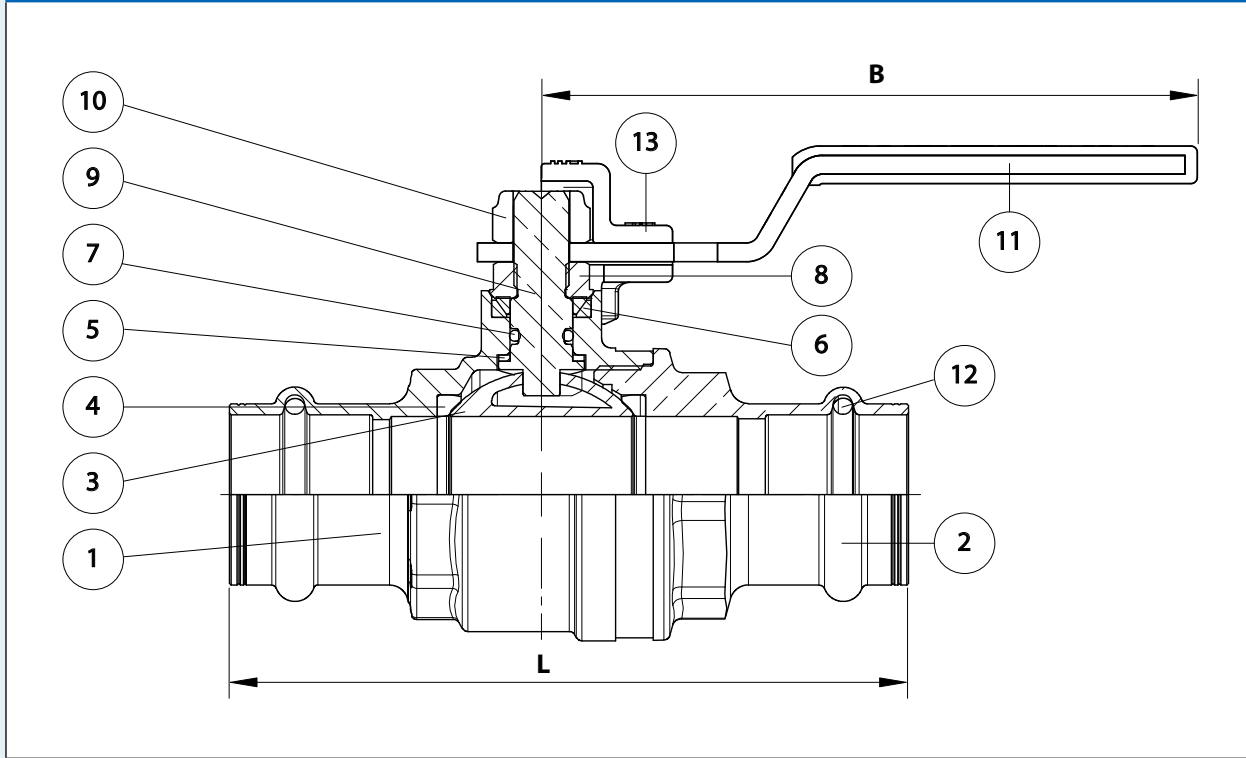
Series 6107

Zetco WaterMarked DZR Brass Ball Valve

Press-fit x Press-fit Lockable



DIMENSIONAL AND COMPONENT DIAGRAM



MATERIALS

POS.	PART NAME	MATERIALS
1	BODY	DZR BRASS
2	END ADAPTOR	DZR BRASS
3	BALL	DZR BRASS (CHROME PLATED)
4	SEAL	PTFE
5	THRUST WASHER	PTFE
6	CONICAL SEAL	PTFE
7	O-RING	HNBR
8	GLAND NUT	BRASS
9	STEM	DZR BRASS
10	NUT	ZINC PLATED STEEL
11	HANDLE	ZINC PLATED STEEL
12	O-RING	EPDM PEROXIDE
13	LOCKING MECHANISM	ZINC PLATED STEEL

DIMENSIONS - mm

Prod. Code	Size	A	B	L	Kv	Wgt kg
6107015	15	44	85	78	15	0.232
6107020	20	52	105	99	28	0.398
6107025	25	56	105	107	39	0.532
6107032	32	68	130	119	84	0.901
6107040	40	74	130	151	156	1.38
6107050	50	88	165	174	243	2.12

PRESSURE/TEMPERATURE DIAGRAM

