



## Series 6110

Zetco WaterMarked  
DZR Brass Ball Valve  
Press-fit x Press-fit  
Extended Spindle

### FEATURES

MANUFACTURED IN ITALY

FULL BORE

EXTENDED SPINDLE DESIGNED FOR INSULATED PIPEWORK

WATERMARKED TO AS 5830.1 LICENCE WM-000110

PRESS-FIT JOINT COMPLIANT WITH AS 3688

FOR USE WITH VIEGA®, ROTHENBERGER® AND KEMPRESS® V-PROFILE TOOLS ONLY

MUST BE INSTALLED ACCORDING TO ACCOMPANYING INSTRUCTIONS & DESIGN GUIDE

CONICAL PTFE STEM SEALING SYSTEM

BLOW-OUT PROOF STEM

MUST BE OPERATED IN FULLY OPEN OR CLOSED POSITION

ALL VALVES PRESSURE TESTED DURING PRODUCTION

SIZE RANGE: 15MM TO 50MM

### PRESSURE AND TEMPERATURE RATINGS

TEMPERATURE RANGE: -15°C TO 110°C

MAXIMUM OPERATING PRESSURE AT NOMINAL TEMPERATURES: 2500 kPa

FOR RATINGS AT SPECIFIC TEMPERATURES REFER TO GRAPH OVERLEAF

BIM-MED<sup>AUS</sup>



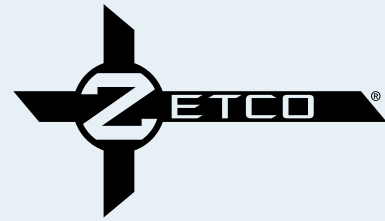
**WaterMark**

IAPMO WM-000110  
AS 5830.1

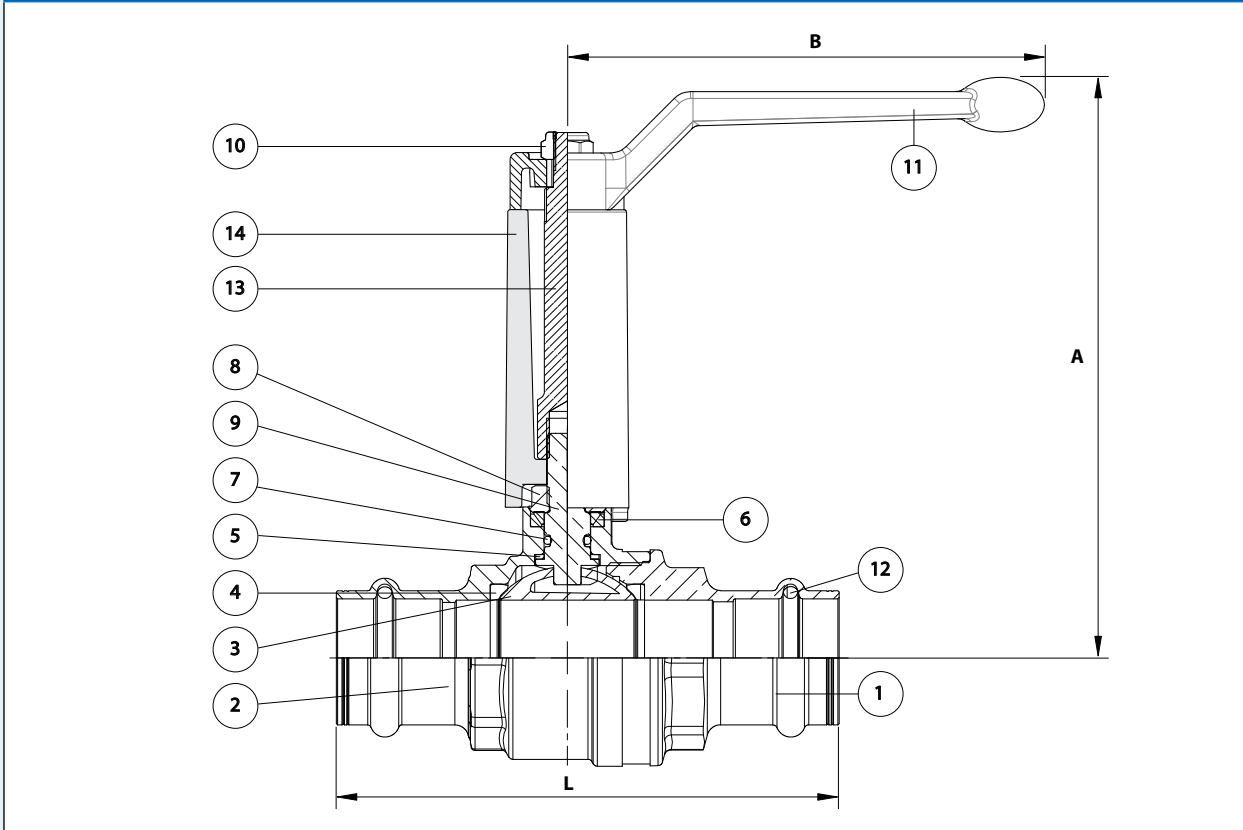
V.01

# Series 6110

Zetco WaterMarked DZR Brass Ball Valve  
Press-fit x Press-fit Extended Spindle



## DIMENSIONAL AND COMPONENT DIAGRAM



## MATERIALS

POS.	PART NAME	MATERIALS
1	BODY	DZR BRASS
2	END ADAPTOR	DZR BRASS
3	BALL	DZR BRASS (CHROME PLATED)
4	SEAL	PTFE
5	THRUST WASHER	PTFE
6	CONICAL SEAL	PTFE
7	O-RING	HNBR
8	GLAND NUT	DZR BRASS
9	STEM	DZR BRASS
10	NUT	ZINC PLATED STEEL
11	HANDLE	ZINC PLATED STEEL
12	O-RING	EPDM PEROXIDE
13	ADAPTER	BRASS
14	EXTENSION	ALUMINIUM

## DIMENSIONS - mm

Prod. Code	Size	A	B	L	Kv	Wgt kg
6110015	15	112	85	78	15	0.276
6110020	20	126	105	99	28	0.443
6110025	25	130	105	107	39	0.585
6110032	32	140	130	119	84	0.977
6110040	40	146	130	151	156	1.47
6110050	50	162	165	174	243	2.24

## PRESSURE/TEMPERATURE DIAGRAM

