



Series 6404

**Zetco WaterMarked
Ball Valve
Male x TOF PE
Lilac Lever Handle**

DESCRIPTION

A DZR brass ball valve WaterMark approved to AS 4796 (Licence WM-022133), featuring a male connection plus patented TOF PE connection WaterMarked to AS/NZS 4129 (Licence WM-022080). The TOF PE connection makes this valve ideal for use with polyethylene pipes, while the lilac handle offers superior resilience in recycled water applications.

FEATURES

Design	Forged dezincification resistant brass body, nut and lever handle Stainless steel 316 grade ball for superior resilience RAL 4005 lilac handle to indicate recycled water usage PTFE ball seals for smooth, reliable operation Blow-out proof stem to prevent leakage
Production	Manufactured in Italy under ISO 9001 Quality Management System All valves are pressure tested during production
Technical	Male ISO 7/1 Rp threaded connection EN 1254-3 compression connection for polyethylene pipes (PE) Suitable for use with PE pipes complying with AS/NZS 4130 Flow capacity: Full bore Flow control: on/off only, not intended for throttling Temperature range: -20°C to 60°C Max. pressure: 1600 kPa Must be installed according to accompanying instructions (see p. 4)
Options & Variants	Size range: 20mm x PE25 & 25mm x PE32 Handle options: DZR brass lever, lockable, hand wheel Series 6403 Female x TOF PE ball valve with lilac handle TOF PE fittings for connecting PE pipes to other systems Series 6610 Torque wrench (see p. 3)



AUSTRALIAN PATENT
NUMBER 2012241556



WaterMark

IAPMO WM-022133
AS 4796



WaterMark

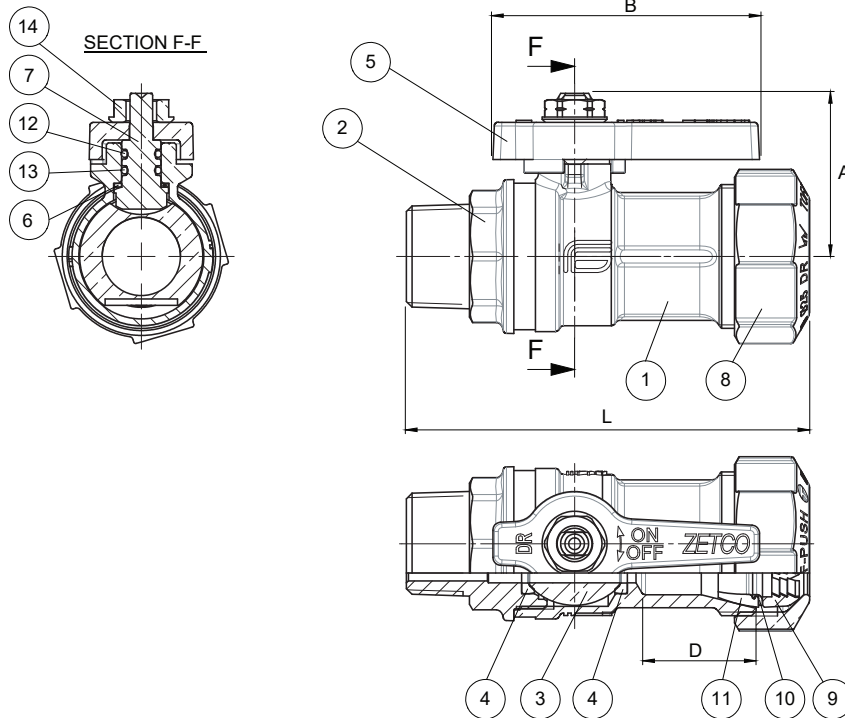
IAPMO WM-022080
AS/NZ 4129

Series 6404

Zetco WaterMarked Ball Valve
Male x TOF PE Lilac Lever Handle



DESCRIPTION



PARTS MATERIALS

POS.	PART	MATERIAL
1	BODY	DZR BRASS
2	END ADAPTER	DZR BRASS
3	BALL	STAINLESS STEEL 316
4	SEAL	PTFE
5	HANDLE	DZR BRASS
6	THRUST WASHER	PTFE
7	STEM	DZR BRASS
8	NUT	DZR BRASS
9	COMPRESSION RING	ACETAL RESIN
10	REINFORCING RING	ACETAL RESIN
11	RUBBER GASKET	NBR
12	UPPER O-RING	HNBR
13	LOWER O-RING	EPDM PEROX
14	NUT	DZR BRASS

DIMENSIONS (mm)

Prod. Code	Size	A	B	L	D	Wgt Kg
6404001	20xPE25	42	68	109	29	0.474
6404002	20xPE32	46	68	111	30	0.635
6404003	25xPE32	46	68	114	30	0.615

Must be installed according to accompanying instructions, shown on page 4 and also for download at www.zetco.com.au



Series 6610

Zetco TOF PE Torque Wrench & Tools

DESCRIPTION

A quality torque wrench handle supplied with specially designed wrenching tools to enable easy and accurate tightening of PE25, PE32, PE50 and PE63 TOF PE nuts. Achieving the correct torque on the TOF PE nuts is essential for ensuring that the connection meets the standards required by AS/NZS 4129.

FEATURES

Design	<ul style="list-style-type: none"> Rotate dial to required torque and lock into place Solid 14x18mm head socket Easily interchangeable tools Each tool designed to exactly fit two sizes of TOF PE nuts Handle supplied in protective plastic case
Production	Manufactured in Taiwan under ISO 9001 Quality Management System
Technical	<ul style="list-style-type: none"> Torque range: 19Nm to 110Nm Accuracy: CW \pm 4% , CCW \pm 6% Refer to accompanying instructions for required torque (see p. 4)
Options	With PE25/PE32 tool only or PE25/PE32 & PE50/PE63 tools

ORDERING INFORMATION

Prod. Code	Product Description
6610003	Torque wrench handle with PE25/PE32 tool only
6610007	Torque wrench handle with PE25/PE32 and PE50/PE63 tools

TOF PE Connection

Installation Instructions



Australian Patent No. 2012 241 556



WaterMark
IAPMO WM-022080
AS/NZS 4129

TOF PE Connection

IMPORTANT INSTALLATION INSTRUCTIONS

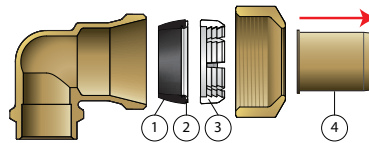
Follow each step carefully

INSTALLATION INSTRUCTION SHEET

STEP 1

Remove the brass nut and check that the internal components are present and in the correct position inside the valve or fitting:

1. Black rubber gasket
2. White reinforcing ring inside the wide rim of black gasket
3. White grab ring with solid end against black gasket
4. Bushing sleeve removed (PE40 to PE63 only)



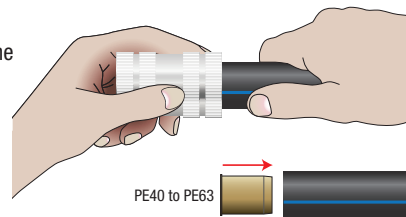
STEP 2

Zetco Valves recommends the use of PE100 PN16 polyethylene pipes complying with AS/NZS 4130.

Cut pipe square and de-burr edges.

Chamfer the external edge of the pipe with an appropriate tool to prevent damage to the gasket.

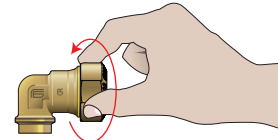
For PE40 to PE63 only, insert bushing sleeve fully into pipe.



STEP 3

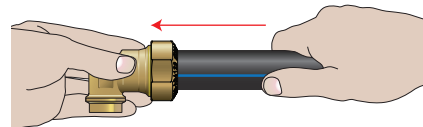
Secure the internal components by hand-fastening the nut.

To ensure easy insertion of the pipe, fasten nut loosely with a single turn and do not over-tighten.



STEP 4

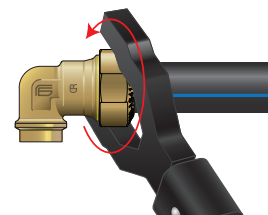
Push the pipe through the internal components, fully into the valve or fitting.



STEP 5

To comply with the pull-out requirement of the AS/NZS 4129 standard, we recommend using only PE100 PN16 polyethylene pipes and fastening the TOF nut securely with a ZETCO torque wrench at the following torque value:

PE Pipe Size	25mm	32mm	40mm	50mm	63mm
Torque	20Nm	25Nm	60Nm	100Nm	100Nm
	with bushing sleeve				



IMPORTANT WARNING

REMOVE THE NUT AND INTERNAL COMPONENTS

before brazing or soldering to prevent heat damage.

Only PTFE sealing tape or an approved thread sealant such as Loxeal® should be used with threaded connections.

TEMP/PRESSURE	
Application	Water
Max. Temp.	60°C
Max. Pressure	1600kPa

Disclaimer: Zetco Valves Pty Ltd will not accept responsibility for damage caused by failure to follow the instructions & warnings provided. The most recent version of these instructions and additional technical information can be obtained at www.zetco.com.au

© 05-2021

Also available for download at www.zetco.com.au