



## Series 6615

Zetco WaterMarked  
Ball Valve  
Female x TOF PUSH  
DZR Brass Lockable Lever

### FEATURES

MANUFACTURED IN ITALY

VALVE WATERMARKED TO AS 4796 LICENCE WM-022133

TOF PUSH FITTING WATERMARKED TO AS/NZS 4129 LICENCE WM-022080

AUSTRALIAN PATENT NUMBER 2012241556

MUST BE INSTALLED ACCORDING TO ACCOMPANYING INSTRUCTIONS

FULL BORE

BLOW OUT PROOF STEM

MUST BE OPERATED IN FULLY OPEN OR CLOSED POSITION

ALL VALVES PRESSURE TESTED DURING PRODUCTION

SIZES: 20MM x PE25

### PRESSURE AND TEMPERATURE RATINGS

TEMPERATURE RANGE: -20° TO 60°C

MAXIMUM OPERATING PRESSURE AT NOMINAL TEMPERATURES: 1600kPa

### TOF PUSH TORQUE WRENCH & TOOL



TOOL SUITS BOTH 25MM AND 32MM TOF PUSH NUTS

PRE-SET TO 32Nm FOR ACCURATE TIGHTENING

PRODUCT CODE: 6610003



**WaterMark**  
IAPMO WM-022133  
AS 4796



**WaterMark**  
IAPMO WM-022080  
AS/NZ 4129

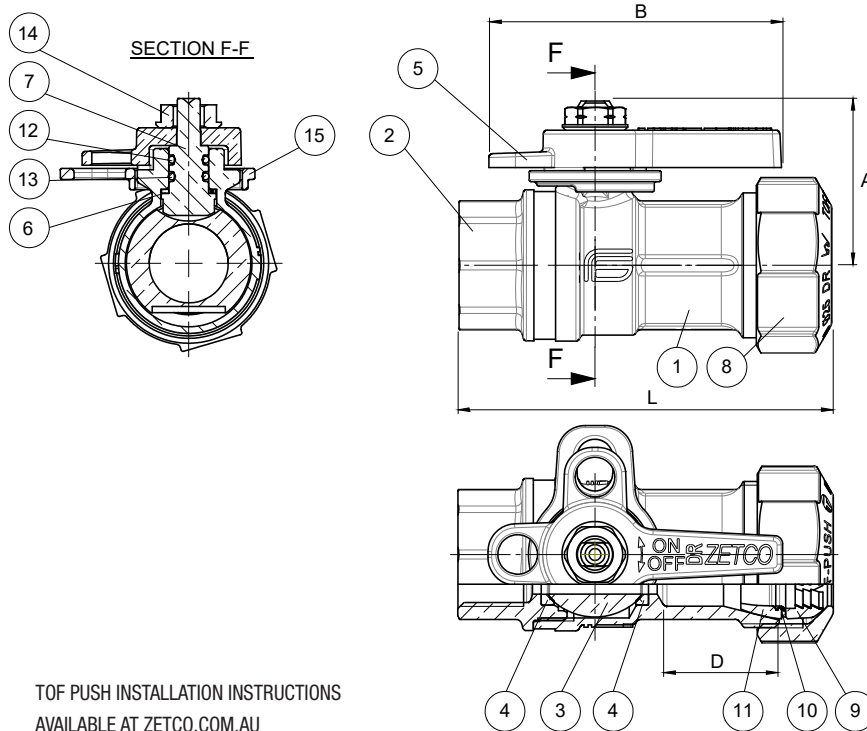
# Series 6615

Zetco WaterMarked Ball Valve

Female x TOF PUSH DZR Brass Lockable Lever



## DIMENSIONAL AND COMPONENT DIAGRAM



TOF PUSH INSTALLATION INSTRUCTIONS  
AVAILABLE AT ZETCO.COM.AU

### MATERIALS

POS.	PART NAME	MATERIALS
1	BODY	DZR BRASS
2	END ADAPTER	DZR BRASS
3	BALL	DZR BRASS
4	SEAL	PTFE
5	HANDLE	DZR BRASS
6	THRUST WASHER	PTFE
7	STEM	DZR BRASS
8	NUT	DZR BRASS
9	COMPRESSION RING	ACETAL RESIN
10	REINFORCING RING	ACETAL RESIN
11	RUBBER GASKET	NBR
12	UPPER O-RING	HNBR
13	LOWER O-RING	EPDM PEROX
14	NUT	DZR BRASS
15	LOCKING PLATE	DZR BRASS

### DIMENSIONS - mm

Prod. Code	Size	A	B	L	D	Wgt kg
6615001	PE25x20	41.7	74.3	95	29	0.452